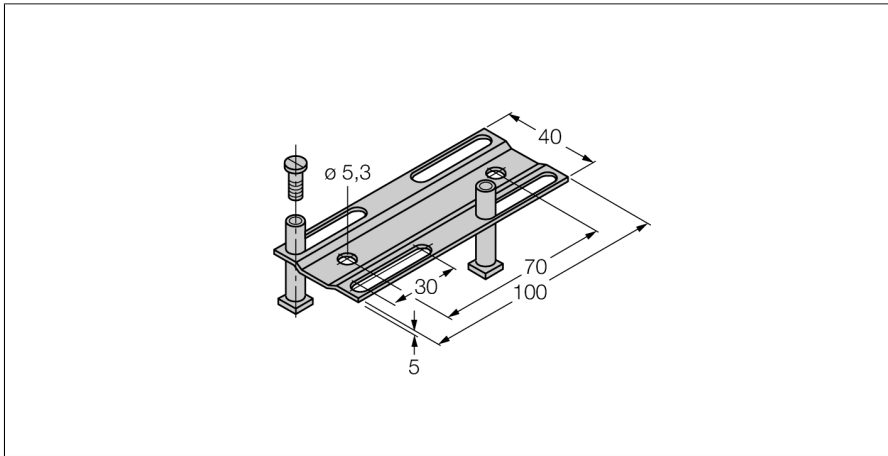


Accessories

Adjusting bar

Adjusting bar JS 025/037

- Adjusting bar for CP40-type sensors
- Stainless steel: VA 1.4301



Type	JS025/037
ID	69429
Design	Accessories for rectangular sensor, CP40
Dimensions	100 x 40 x 5 mm
Housing material	Metal, 1.4301 (AISI 304)
Included in delivery	2 sliding blocks, 2 cylinder screws M4 x 12 mm and 2 spring washers made of stainless steel