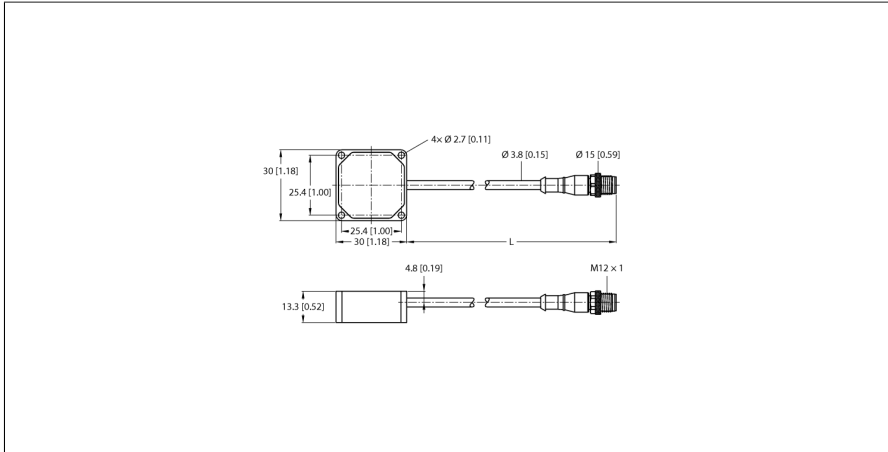


# Vibration & Temperature Sensor With Serial Interface For Connecting to a DX80 Radio Node QM30VT1

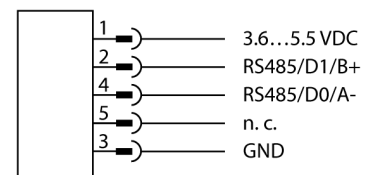


|                        |                                       |
|------------------------|---------------------------------------|
| Type                   | QM30VT1                               |
| ID                     | 3806275                               |
| <b>Wireless data</b>   |                                       |
| Function               | Vibration sensor                      |
| Device type            | Sensor                                |
| <b>I/O data</b>        |                                       |
| Communication protocol | 1-wire-serial                         |
| <b>Electrical data</b> |                                       |
| Operating voltage      | 3.6...5.5 VDC                         |
| <b>Mechanical data</b> |                                       |
| Design                 | Rectangular, QM30VT                   |
| Housing material       | Aluminium, AL, Black-finished         |
| Electrical connection  | Cable with connector, M12 × 1, 2.09 m |
| Antenna connection     | No radio participant                  |
| Ambient temperature    | -40...+105 °C                         |
| Protection class       | IP67                                  |
| <b>Tests/approvals</b> |                                       |



- For detecting temperature and vibration values
- Robust aluminum housing
- Protection class IP67
- PVC cable, 2.09 m, with M12 × 1 male connector, 5-pin
- Shock resistant up to 400 g
- BWA-BK-022 mounting plate kit included in delivery
- Temperature measuring range: -40... 105 °C
- Resolution: 1 °C
- Accuracy: ± 3 °C
- Vibration measuring range: 0...46 mm/s RMS
- Frequency range: 10...4000 Hz
- Accuracy: ± 10 % at 25 °C
- Operating voltage: 3.6...5.5 VDC
- Serial interface to connect a DX80 radio participant

## Wiring Diagram



## Functional principle

This sensor is especially designed for supply via FlexPower node. It features a lower power consumption and a short warm-up period.

## Accessories

| Type code  | Ident no. |  | Dimension drawing |
|------------|-----------|--|-------------------|
| BWA-BK-022 | 3810633   | Mounting plate kit for QM30VT sensors, aluminum, screw set and self-adhesive foil included |                   |

## Function accessories

| Type code        | Ident no. |   | Dimension drawing |
|------------------|-----------|---|-------------------|
| BWA-USB1WIRE-001 | 3079714   | Converter cable, for connecting serial sensors in the M12FT...4Q, QM42VT1, K50UX1RA etc. series to the PC, supports baud rates 9600, 19200 and 38400 Bd, USB 2.0 Type A male connector to female connector, M12 × 1, 5-pin, supply: 5 V supply via USB for powering 1 sensor, total length: 1 m |                   |
| DX80N2Q45VT      | 3088439   | Q45 wireless sensor, internal battery supply, protection class IP67, serial interface to connect a vibration and temperature sensor   |                   |
| DX80N2X1S-P6     | 3018657   | DX80 FlexPower nodes, internal battery supply, external antenna, protection class IP67, serial interface to connect a sensor  |                   |
| DX80N2Q45U       | 3800203   | Q45 wireless sensor, internal battery supply, protection class IP67, serial interface to connect various sensors  |                   |

## Function accessories

| Type code    | Ident no. |  | Dimension drawing |
|--------------|-----------|--|-------------------|
| DX80N2X6S-P6 | 3095667   | DX80 nodes, 10...30 DC power supply, external antenna, protection class IP67, serial interface to connect a sensor   |                   |
| DX80DR2M-H6  | 3014392   | DX80 Data Radio, internal battery supply, external antenna, protection class IP67, serial interface to connect a sensor, RS485 interface to communicate via Modbus RTU |                   |