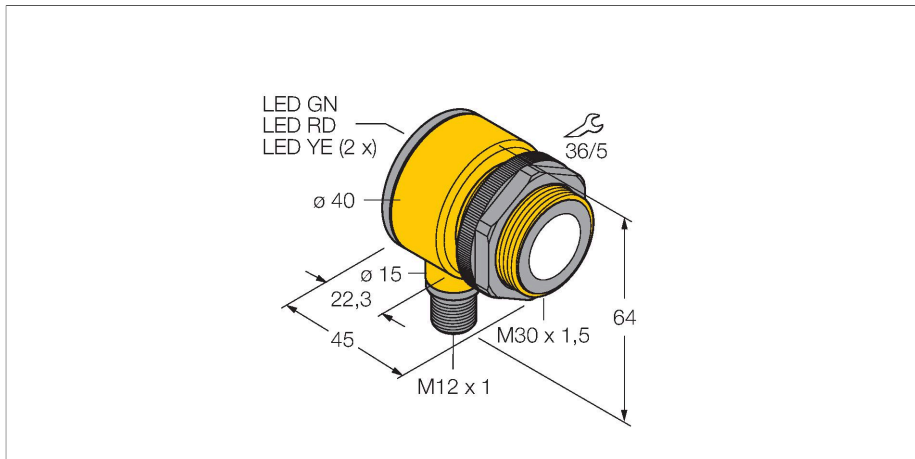


T30UXICQ8-CRFV

Ultrasonic Sensor – diffuse mode sensor

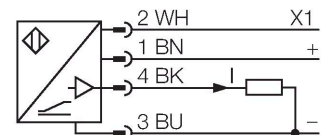
With Analog Output



Features

- Compact design
- Cable with male end M12 x 1, 4-pin
- Analog output 4...20 mA
- Response time adjustable
- Integrated temperature compensation
- Measuring range adjustable via teach-in
- Blind zone: 30 cm
- Range: 300 cm

Wiring diagram



Functional principle

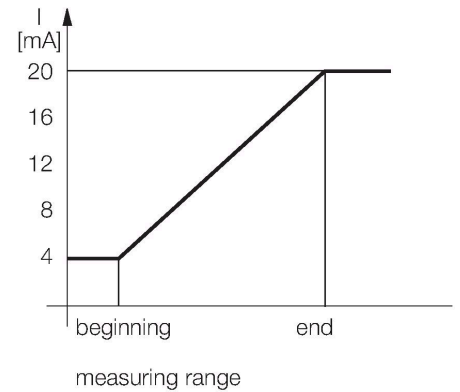
Ultrasonic sensors detect a multitude of objects contactless and wear-free with ultrasonic waves. Regardless of whether the object is transparent or opaque, metallic or non-metallic, liquid, solid or powdery. Even environmental conditions such as spray, dust or rain hardly affect their function.

Technical data

Type	T30UXICQ8-CRFV
ID	3083282
Ultrasonic data	
Function	Proximity switch
Range	300...1500 mm
Ultrasound frequency	114 kHz
Repeatability	≤ ± 1.5 mm
Temperature drift	≤ 0.02 % of full scale/K
Edge lengths of the nominal actuator	100 mm
Electrical data	
Operating voltage	10...30 VDC
Load resistance	≤ 1000 Ω
Response time typical	< 135 ms
Readiness delay	≤ 500 ms
Output function	Analog output
Current output	4...20 mA
Hysteresis	≤ 4 mm
Short-circuit protection	yes / Cyclic
Reverse polarity protection	Complete
Wire breakage protection	yes
Mechanical data	
Design	Tube, T30U
Radiation direction	straight
Dimensions	Ø 40 x 45 mm
Housing material	Plastic, PBT

Technical data

Transducer material	Plastic, Epoxyd resin and PU foam
Electrical connection	Connector, M12 × 1, PVC
Ambient temperature	-40...+70 °C
Relative humidity	95 %
Protection class	IP67
Power-on indication	LED
Object detected	LED, Red
Tests/approvals	
Approvals	CE, cULus listed

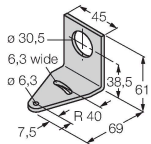


Accessories

SMB30A

3032723

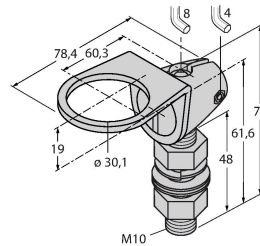
Mounting bracket, rectangular, stainless steel, for sensors with 30mm thread



SMB30FAM10

3011185

Mounting bracket, stainless steel, for M10 x 1.5 thread, thread length 30 mm



SMB30SC

3052521

Mounting bracket, PBT black, for sensors with 30 mm thread, rotatable

