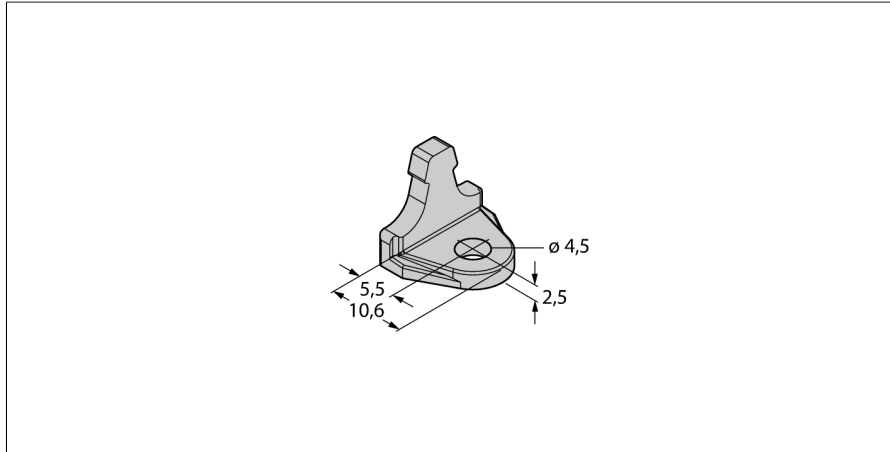


Accessories

Mounting Bracket

For Linear Position Sensors LI-Q17L

M1.1-Q17L



- Mounting bracket for linear position sensors Q17L
- Material: Aluminium
- Packaging unit: 3 pcs.

Type	M1.1-Q17L
ID	1590749