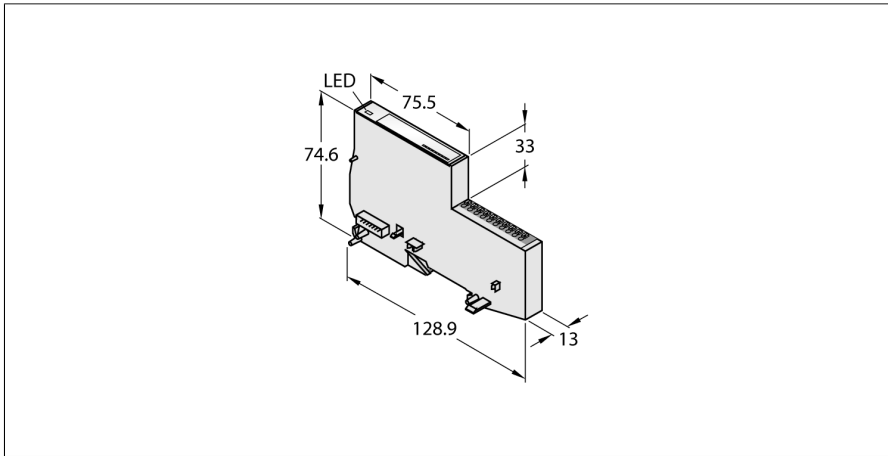


# BL20 Economy Module

## Potential Distribution Module, 10x 24 VDC

### BL20-E-10UL



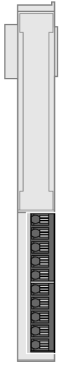
- Fieldbus-independent
- Electronics and connection technology in one housing
- Connectivity: Push-in terminals
- Protection class IP20
- 10 connection terminals for wiring the 24 VDC potential from the  $U_i$  field supply

#### Functional principle

Electronics and connection technology are integrated in the housing. A base module is not needed. Economy modules and modules with separate electronics and connection technology can be fitted into a station, provided the base modules feature tension spring connections.

The use of gateways makes economy modules completely independent from the higher level fieldbus.

Type	BL20-E-10UL
ID	100001335
Number of channels	10
Rated voltage from the supply terminal	24 VDC
Admissible range	18...30 VDC
Output connectivity	Push-in
Dimensions (W x L x H)	13 x 128.9 x 74.6 mm
Ambient temperature	0...+55 °C
Storage temperature	-25...+85 °C
Relative humidity	15...95 %, no condensation allowed
Vibration test	Acc. to EN 61131
Shock test	Acc. to IEC 60068-2-27
Drop and topple	acc. to IEC 68-2-31 and free fall to IEC 68-2-32
Electromagnetic compatibility	Acc. to EN 50082-2
Protection class	IP20
MTTF	15435 years acc. to SN 29500 (Ed. 99) 20 °C

**Connection Overview****Note**

The module supplies the 24 VDC potential from the U<sub>i</sub> field supply of the gateway or a power feeding module on 10 channels.

**Pin Assignment**